

Concrete Yield

1. WHAT is Concrete Yield?

Concrete yield is the volume of freshly mixed, unhardened concrete made from a known quantity of ingredients. It is sold on a volume basis, usually in cubic meters (m³).

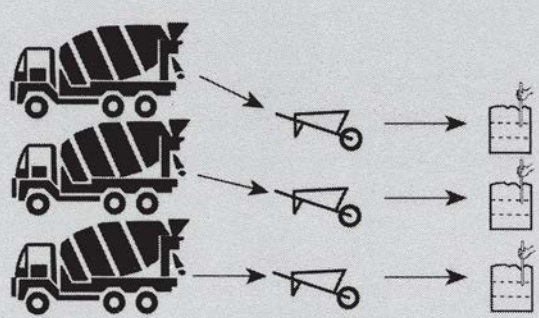
Since ready-mix concrete is batched by mass it is necessary to convert the plant scale readings to volume for sale. CAN/CSA - A23.1 states: "The volume of freshly mixed and unhardened concrete in a given batch shall be determined from the total mass of the batch divided by the density of the concrete ... The density shall be determined in accordance with CSA Test Method A23.2-6C."

1. WHY do yield problems occur?

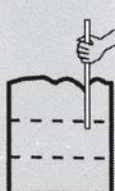
Most yield problems concern a real or imagined under-yield in concrete volumes. Actual yields can be corrected using unit weight measurements and yield calculations. In addition, apparent yield shortages are sometimes caused by the following:

- a. Miscalculating form volumes or slab thicknesses. A fractional error may result in more concrete being used than was originally ordered.
- b. Form deflection or distortion under the weight

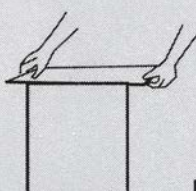
Sample 3 Truck Mixers
Run Unit Weight on Each Sample



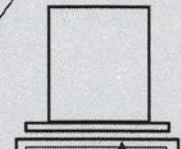
ASTM C138 Test for Unit Weight - Fill 1/2 Cu. Ft. Bucket in 3 Layers, Rod Each Layer 25 Times and Rap Side with Mallet, Strike Off with Flat Plate, Clean Outside Surfaces and Weigh.



3 Layers



Use Flat Plate



Weigh

Unit Weight = Net Concrete Wt. ÷ Bucket Vol. = kg/m³
 Avg. Unit Wt = (UW1 + UW2 + UW3) ÷ 3 = kg/m³
 Batch Yield (m³) = Weight of Batch ÷ Avg. Unit Wt.

of the fresh concrete.

- c. Irregular subgrades which require extra concrete, or subgrade settlement under pressure from the fresh concrete.
- d. Waste, spillage, loss of some entrained air, settlement of wet mixes and use of excess concrete in incidental mud sills or footings are some other reasons why concrete shortages have been reported.

3. **HOW** are yield problems prevented?

- a. In general, avoid all of the causes of apparent yield discrepancies listed above.
- b. Check concrete yields by performing CSA Test Method A23.2-6C early in the job. Repeat periodically and especially if problems arise.
- c. The mixer truck can be weighed empty and full as a rough check. Care should be taken to ensure that such things as fuel, water and mud do not adversely affect the two weighings.

- d. Measure form work carefully. Near the end of a pour, carefully estimate balance load requirements to avoid shortages or overages.
- e. Forms should be constructed to withstand the pressure of fresh concrete without deflection or distortion.
- f. Ensure that subgrade is level and well compacted for slabs on grade.
- g. Include sufficient concrete volumes to account for waste, spillage, over excavation and other factors. Some jobs may require a larger allowance for contingencies than others.